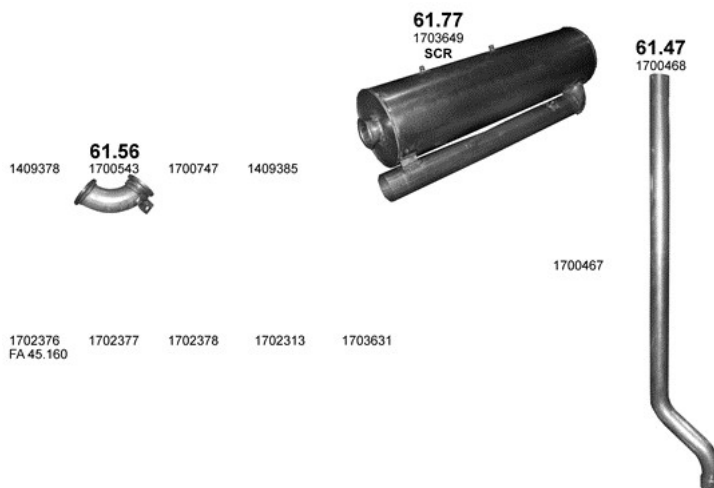




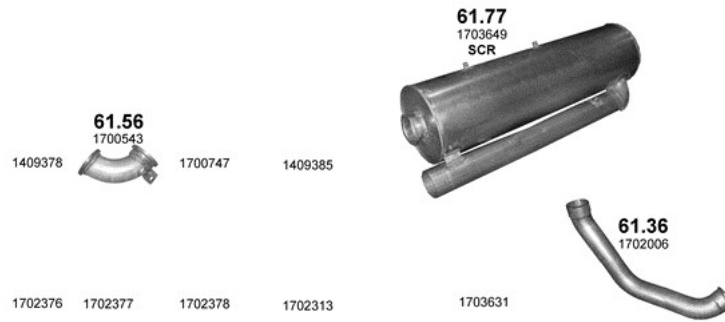
POLMO	ALU	CHR	OE
25.18	155		14300-51KA0 14300-73KA0 47 09 337 47 09 338
25.20	165		14250-51KA0 4709331 93194219

**SUZUKI SPLASH 1.0 HATCHBACK 12/2007 - 65-68HP, 48-50kW, 996ccm**  
**OPEL AGILA B 1.0 5/2008 - 9/2010 65HP, 48kW, 996ccm**



POLMO	ALU	CHR	OE
61.47	220		1700468
61.56	150		1409381 1700543
61.77		6000	1700286 1702261 1703478 1703649

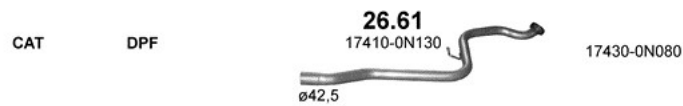
**DAF LF 45 4.5 (Diesel) Samochód skrzyniowy (Rigid) 5/2006 - 140-160-185HP, 103-118-136kW, 4461ccm**



POLMO	ALU	CHR	OE
61.36	120		1700395 1702006
61.56	150		1409381 1700543
61.77		6000	1700286 1702261 1703478 1703649

**DAF LF 45 4.5 (Diesel) Samochód skrzyniowy (Rigid) 4/2006 - 140-160-185HP, 103-118-136kW, 4461ccm**

---



POLMO	ALU	CHR	OE
26.61	80		17410-0N130

**TOYOTA YARIS 1.4 (Diesel) 9/2011 - 90HP, 66kW, 1364ccm**

---



POLMO	ALU	CHR	OE
61.56	150		1409381 1700543

**DAF LF 45 4.5 (Diesel) Samochód skrzyniowy (Rigid) 5/2006 - 160-185HP, 118-136kW, 4461ccm**

---



POLMO	ALU	CHR	OE
61.56	150		1409381 1700543

**DAF LF 45 4.5 (Diesel) Samochód skrzyniowy (Rigid) 5/2006 - 140-160-185HP, 103-118-136kW, 4461ccm**

---

CAT 1706J8 1717JJ



POLMO	ALU	CHR	OE
04.90	170		1730S1

**CITROEN C4 1.6 COUPE 7/2008 - 6/2009 150HP, 110kW, 1598ccm**  
**PEUGEOT 308 1.6 HATCHBACK 9/2007 - 10/2009 150HP, 110kW, 1598ccm**

---

CAT 1706J8 1717PC



POLMO	ALU	CHR	OE
04.90	170		1730S1

**PEUGEOT 3008 1.6 6/2009 - 11/2009 150HP, 110kW, 1598ccm**

---

18210-SEF-E02 CAT 18030-SEG-E01



POLMO	ALU	CHR	OE
09.34	195		18030-SEG-E01

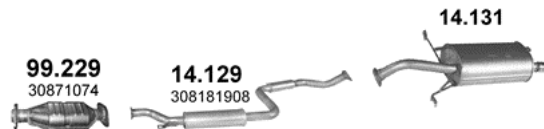
**HONDA ACCORD 2.2 D (Diesel) KOMBI 11/2003 - 5/2008 140HP, 103kW, 2204ccm**

---



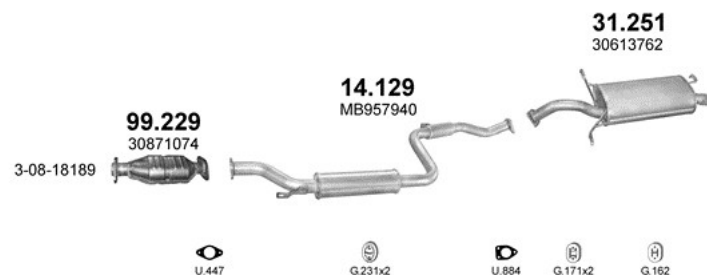
POLMO	ALU	CHR	OE
19.41	170		1608694180 1609988580
19.42	195		1608694080

**CITROEN C-ELYSEE II 1.6 D (Diesel) 11/2012 - 92HP, 68kW, 1560ccm**  
**PEUGEOT 301 1.6 D (Diesel) 11/2012 - 12/2013 92HP, 68kW, 1560ccm**



POLMO	ALU	CHR	OE
14.129	165		3-08-18190 MB957940 MR258145
14.131	195		MB957279
99.229		965	

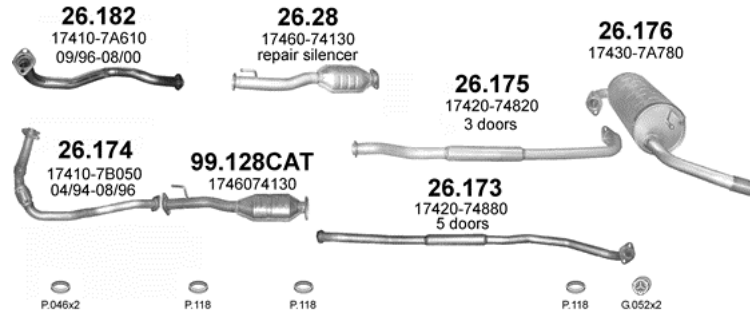
**MITSUBISHI CARISMA 1.9 D (Diesel) HATCHBACK, SEDAN 10/1996 - 2/1999 90HP,**  
**66kW, 1870ccm**



POLMO	ALU	CHR	OE
14.129	165		3-08-18190 MB957940 MR258145
31.251	195		3-06-13762 3-06-13764 3-08-16206 3-08-16208 3-08-50965

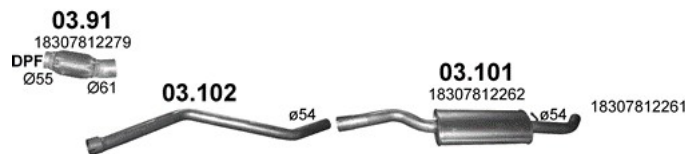
99.229		965	
--------	--	-----	--

**VOLVO S40 1.9 D (Diesel) SEDAN 7/1996 - 4/1999 90HP, 66kW, 1870ccm**  
**VOLVO V40 1.9 D (Diesel) KOMBI 6/1996 - 8/1999 90HP, 66kW, 1870ccm**



POLMO	ALU	CHR	OE
26.173	125		17420-74880
26.174	245		17410-7A340 17410-7B050
26.175	125		17420-74820
26.176	235		17430-7A780
26.182	105		17410-7A610
26.28	130		1746074130 1746074131
99.128		1010	1746074130 1746074131

**TOYOTA RAV 4 2.0 4/1994 - 5/2000 129HP, 95kW, 1998ccm**



POLMO	ALU	CHR	OE
03.101	155		
03.102	80		
03.91	90		18307812279 18307812281 18307812283 18307812287

**BMW 1 E81 2.0 D (Diesel) HATCHBACK 11/2008 - 12/2012 116HP, 85kW, 1995ccm**  
**BMW 1 E87 2.0 D (Diesel) HATCHBACK 11/2008 - 12/2012 116HP, 85kW, 1995ccm**  
**BMW 1 E81 2.0 D (Diesel) HATCHBACK 3/2007 - 12/2012 136-143HP, 100-105kW, 1995ccm**  
**BMW 1 E87 2.0 D (Diesel) HATCHBACK 3/2007 - 12/2012 136-143HP, 100-105kW, 1995ccm**

**BMW 1 E81 2.0 D (Diesel) HATCHBACK 3/2007 - 12/2012 163-177HP, 120-130kW, 1995ccm**

**BMW 1 E87 2.0 D (Diesel) HATCHBACK 3/2007 - 12/2012 163-177HP, 120-130kW, 1995ccm**